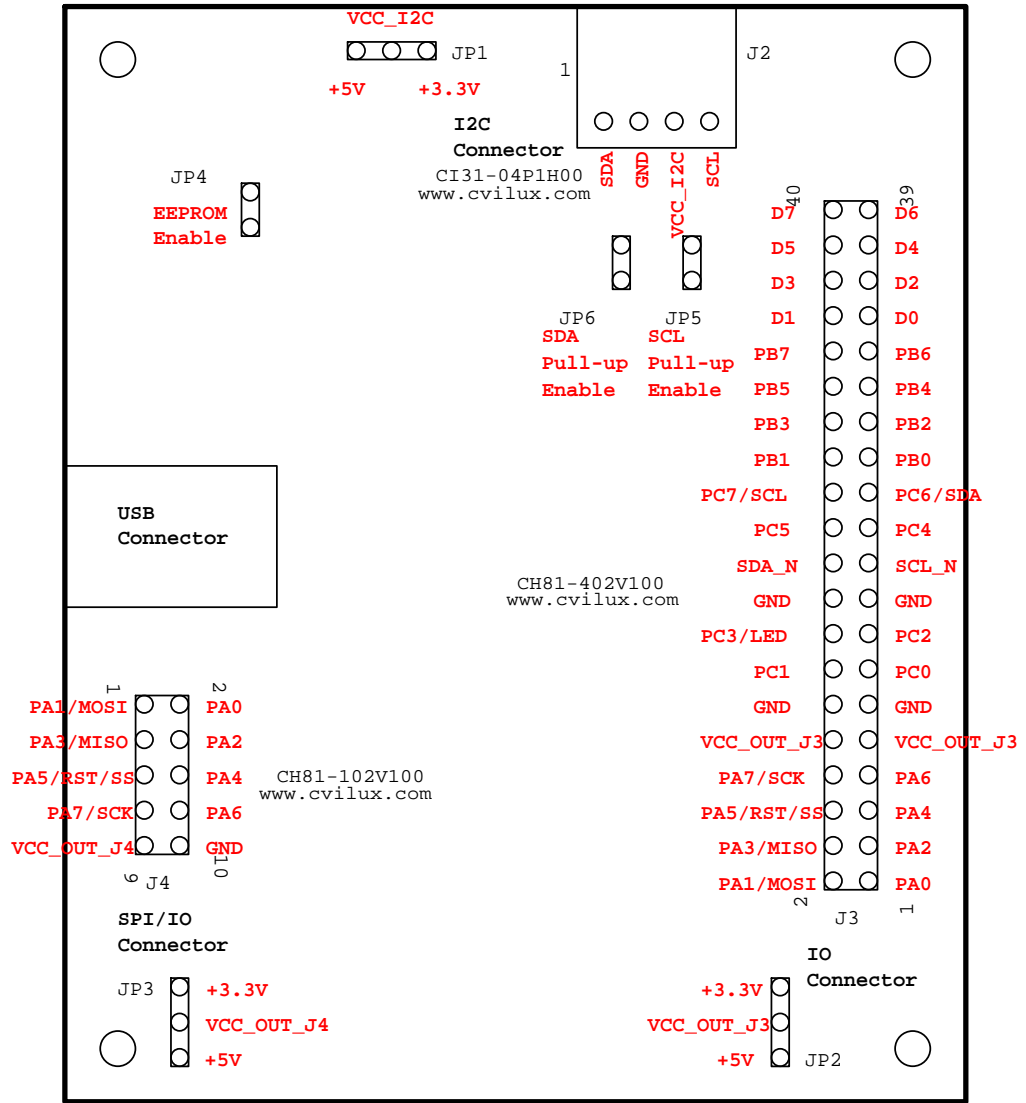


JP1	VCC_I2C, J2,3	
1-2	Regulated	3.3V
2-3	From USB	5V
Open	External	
JP2	VCC_OUT, J3.9, J3.10	
1-2	Regulated	3.3V
2-3	From USB	5V
JP3	VCC_OUT, J4,9	
1-2	Regulated	3.3V
2-3	From USB	5V

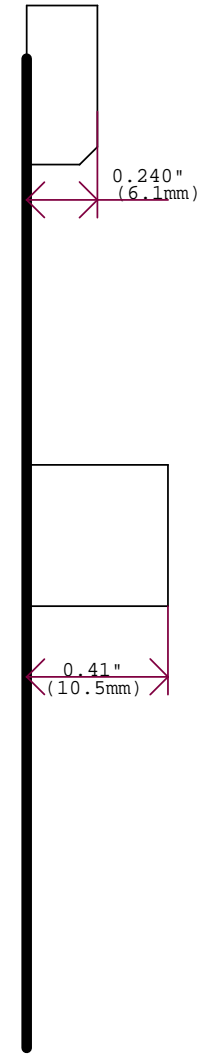
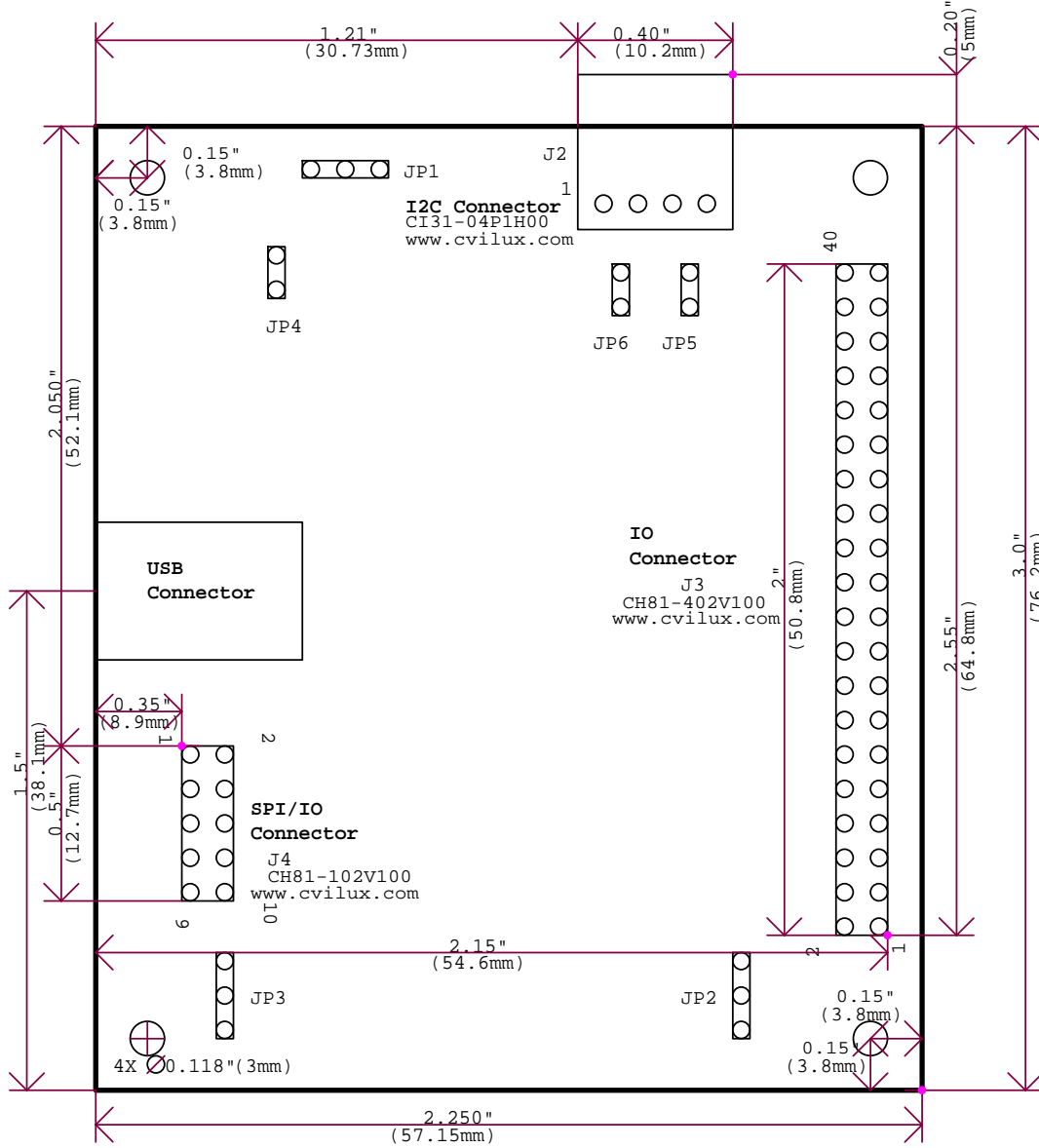
www.diolan.com

U2C-12

Size A4	Document Number	Rev 0
Date: Sunday, August 05, 2007	Sheet 1 of 3	



www.diolan.com		
U2C-12 Connectors		
Size A4	Document Number 0.0.6	Rev 0
Date: Sunday, August 05, 2007	Sheet 2	of 3



www.diolan.com		
Title		
U2C-12 Mechanical Drawing		
Size	Document Number	Rev
	0.0.6	0
Date:	Sunday, August 05, 2007	Sheet 3 of 3